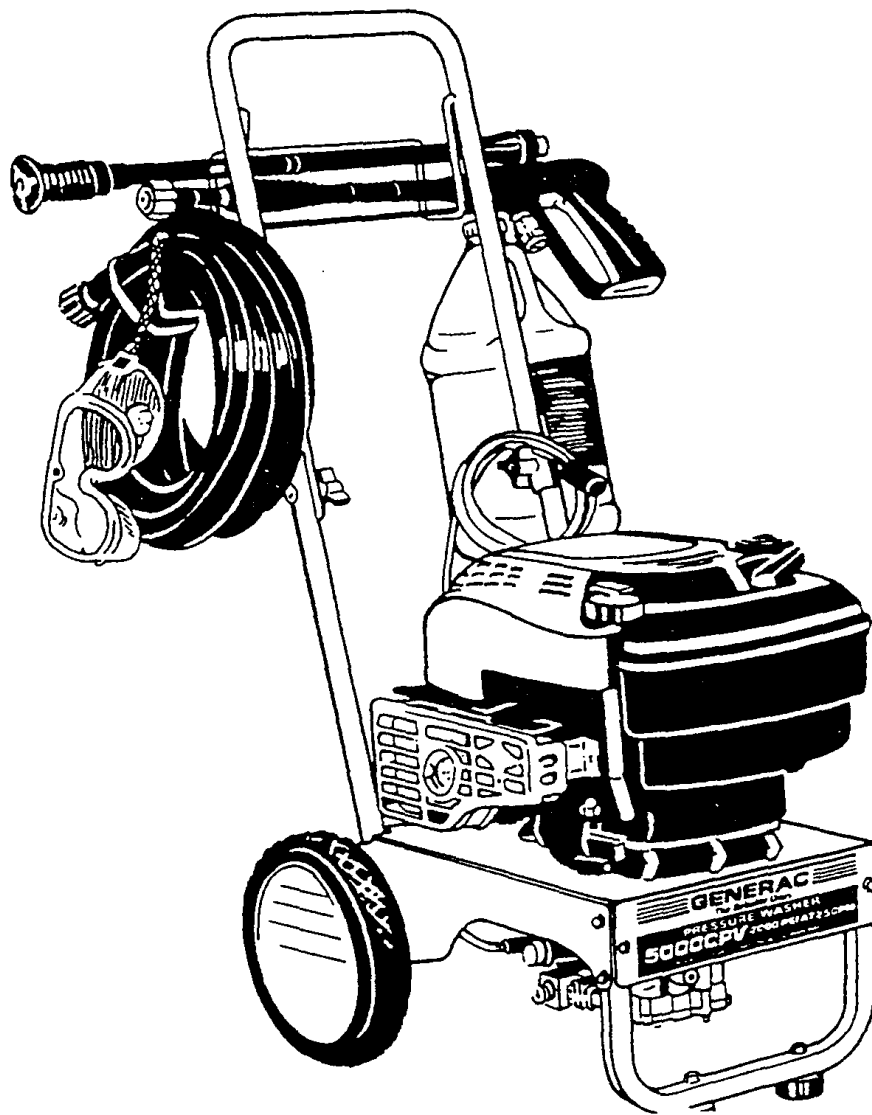


Parts Manual

Mfg. No: 0796-0
2,000 PSI



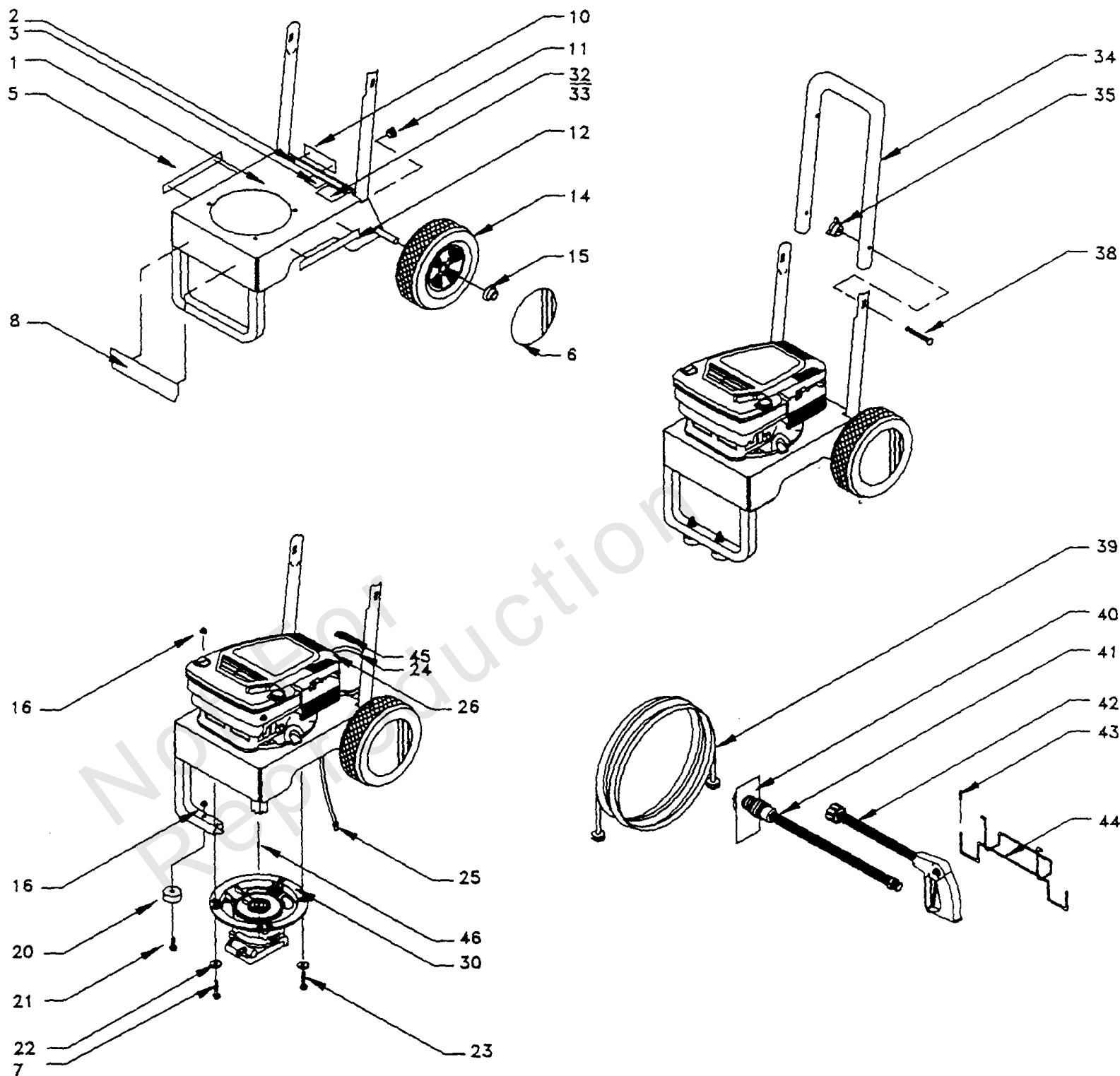
Model Components	Page
High Pressure Washer.....	4
Torque Specification Chart.....	6

Not For
Reproduction

High Pressure Washer

Note: Unless noted otherwise, use the standard torque specifications

Mfg. No: 0796-0



High Pressure Washer

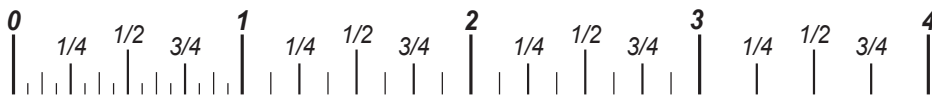
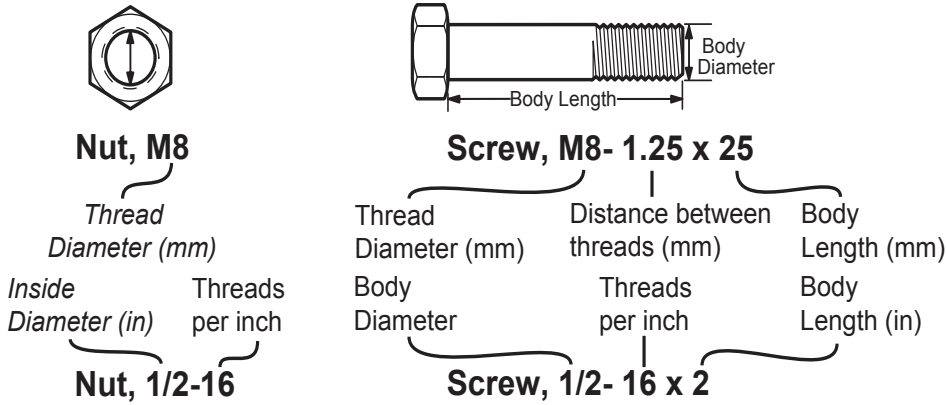
REF NO	PART NO	QTY	DESCRIPTION
1	B1020	1	BASE VSPW
2	A2042	1	STARTING INSTRUCTION DECAL
3	20566	1	1-800 NUMBER DECAL
4	21278	1	SHEET METAL BASE VSPW
5	21449	1	DANGER/EXHAUST DECAL
6	21289	2	WHEEL CAP
7	52203	1	M8 x 1.25 x 70 LONG HHCS
8	A1795	1	LOGO DECAI 5000CPV
10	20042	1	IMPORTANT/CAUTION DECAL
11	30809	1	CHEM HOSE GROMMET
12	21450	1	DANGER DECAL
14	21206	2	2" x 8" BLACK MAG TIRE
15	75402	2	1/2" PUSHNUT
16	52858	5	M8 LOCKING FLANGE NUT
20	87841	2	RUBBER MOUNT FOOT
21	39414	2	MS x 1.25 x 35 LONG HHCS
22	96796	3	GROMMET SUPPORT WASHER
23	57821	2	MS x 1.25 x 40 LONG HHCS
24	A1040B	1	CHEMICAL HOSE
25	B1111	1	QUICK DISCONNECT FAIP
26	A1725	1	B & S 6HP QUANTUM
30	A1656	1	PUMP, FAIP ASSEMBLY
32	88056	1	DATA DECAL
33	79552	1	OVERLAMINATE
34	21279	1	HANDLE VS PW
35	97178	2	PW HANDLE KNOB
38	31669	2	1/4"-20 x 1.75" CARRIAGE BOLT
39	91630	1	3/8" x 25' HOSE
40	97566	1	NOZZLE HANG TAG
41	98539B	1	ADJUSTABLE NOZZLE WAND
42	97633	1	HIGH PRESSURE GUN
43	92528	2	0.25" DIA. BLACK VINYL CAP
44	20118	1	WIREFORM
45	A1041	1	CHEMICAL HOSE FILTER
46	23139	1	KEY 3/16" SQ X 1" LG

Hardware Identification & Torque Specifications

Torque Specification Chart								
FOR STANDARD METRIC MACHINE HARDWARE (Tolerance ± 20%)								
Property Class	5.6		8.8		10.9		12.9	
	Class 5.6		Class 8.8		Class 10.9		Class 12.9	
Size Of Hardware	in/lbs	Nm.	in/lbs	Nm.	in/lbs	Nm.	in/lbs	Nm.
	ft/lbs		ft/lbs		ft/lbs		ft/lbs	
M3	5.88	.56	13.44	1.28	19.2	1.80	22.92	2.15
M4	13.44	1.28	30.72	2.90	43.44	4.10	52.56	4.95
M5	26.4	2.50	60.96	5.75	5.97	8.10	7.15	9.7
M6	44.64	4.3	7.3	9.9	10.3	14	12.1	16.5
M7	5.2	7.1	12.1	16.5	16.9	23	19.9	27
M8	7.7	10.5	17.7	24	25	34	29	40
M10	15	21	35	48	50	67	59	81
M12	26	36	61	83	86.2	117	103	140
M14	42	58	101	132	136	185	162	220
M16	64	88	147	200	210	285	250	340
M18	89	121	202	275	287	390	346	470
M20	126	171	290	390	405	550	486	660
M22	169	230	390	530	559	745	656	890
M24	217	295	497	375	708	960	840	1140
M27	320	435	733	995	1032	1400	1239	1680
M30	435	590	995	1350	1401	1900	1681	2280
M33	590	800	1349	1830	1902	2580	2278	3090
M36	759	1030	1740	2360	2441	3310	2935	3980
M39	988	1340	2249	3050	3163	4290	3798	5150

Torque Specification Chart						
FOR STANDARD MACHINE HARDWARE (Tolerance ± 20%)						
Hardware Grade	No Marks		SAE Grade 5		SAE Grade 8	
	SAE Grade 2		SAE Grade 5		SAE Grade 8	
Size Of Hardware	in/lbs	Nm.	in/lbs	Nm.	in/lbs	Nm.
	ft/lbs		ft/lbs		ft/lbs	
8-32	19	2.1	30	3.4	41	4.6
8-36	20	2.3	31	3.5	43	4.9
10-24	27	3.1	43	4.9	60	6.8
10-32	31	3.5	49	5.5	68	7.7
1/4-20	66	7.6	8	10.9	12	16.3
1/4-28	76	8.6	10	13.6	14	19.0
5/16-18	11	15.0	17	23.1	25	34.0
5/16-24	12	16.3	19	25.8	29	34.0
3/8-16	20	27.2	30	40.8	45	61.2
3/8-24	23	31.3	35	47.6	50	68.0
7/16-14	30	40.8	50	68.0	70	95.2
7/16-20	35	47.6	55	74.8	80	108.8
1/2-13	50	68.0	75	102.0	110	149.6
1/2-20	55	74.8	90	122.4	120	163.2
9/16-12	65	88.4	110	149.6	150	204.0
9/16-18	75	102.0	120	163.2	170	231.2
5/8-11	90	122.4	150	204.0	220	299.2
5/8-18	100	136	180	244.8	240	326.4
3/4-10	160	217.6	260	353.6	386	525.0
3/4-16	180	244.8	300	408.0	420	571.2
7/8-9	140	190.4	400	544.0	600	816.0
7/8-14	155	210.8	440	598.4	660	897.6
1-8	220	299.2	580	788.8	900	1,244.0
1-12	240	326.4	640	870.4	1,000	1,360.0

The guides and ruler furnished below are designed to help you select the appropriate hardware.



Standard Hardware Sizing

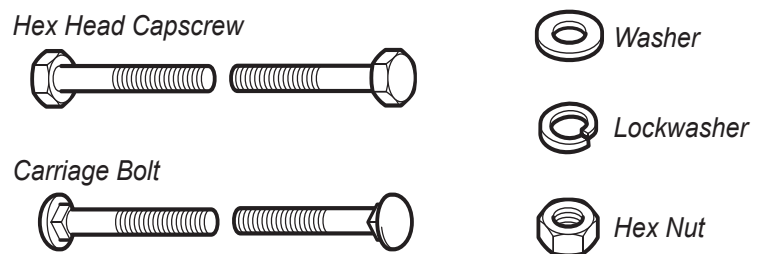
When a washer or nut is identified as 1/2" (M8), this is the *Nominal size*, meaning the *inside diameter* is 1/2 inch (8mm metric thread diameter); if a second number is present it represents the *threads per inch* (distance between threads).

When bolt or capscrew is identified as 1/2 - 16 x 2" (M8 - 1.25 x 50), this means the *Nominal size*, or body diameter is 1/2 inch (8mm metric thread diameter), the second number, 16, represents the *threads per inch*, (*distance between threads*). The final number is the body length of the bolt or screw, 2 inches (50mm).

NOTES

- These torque values are to be used for all hardware excluding: locknuts, self-tapping screws, thread forming screws, sheet metal screws and socket head setscrews.
- Recommended seating torque values for locknuts:
 - for prevailing torque locknuts - use 65% of grade 5 torques.
 - for flange whizlock nuts and screws - use 135% of grade 5 torques.
- Unless otherwise noted on assembly drawings, all torque values must meet this specification.

Common Hardware Types



Wrench & Fastener Size Guide

1/4" Bolt or Nut Wrench—7/16"	5/16" Bolt or Nut Wrench—1/2"	3/8" Bolt or Nut Wrench—9/16"	7/16" Bolt or Nut Wrench (Bolt)—5/8" Wrench (Nut)—11/16"	1/2" Bolt or Nut Wrench—3/4"
M6 Bolt or Nut Wrench—10mm	M8 Bolt or Nut Wrench—13mm	M10 Bolt or Nut Wrench—17mm	M12 Bolt or Nut Wrench—19mm	M14 Bolt or Nut Wrench—22mm

